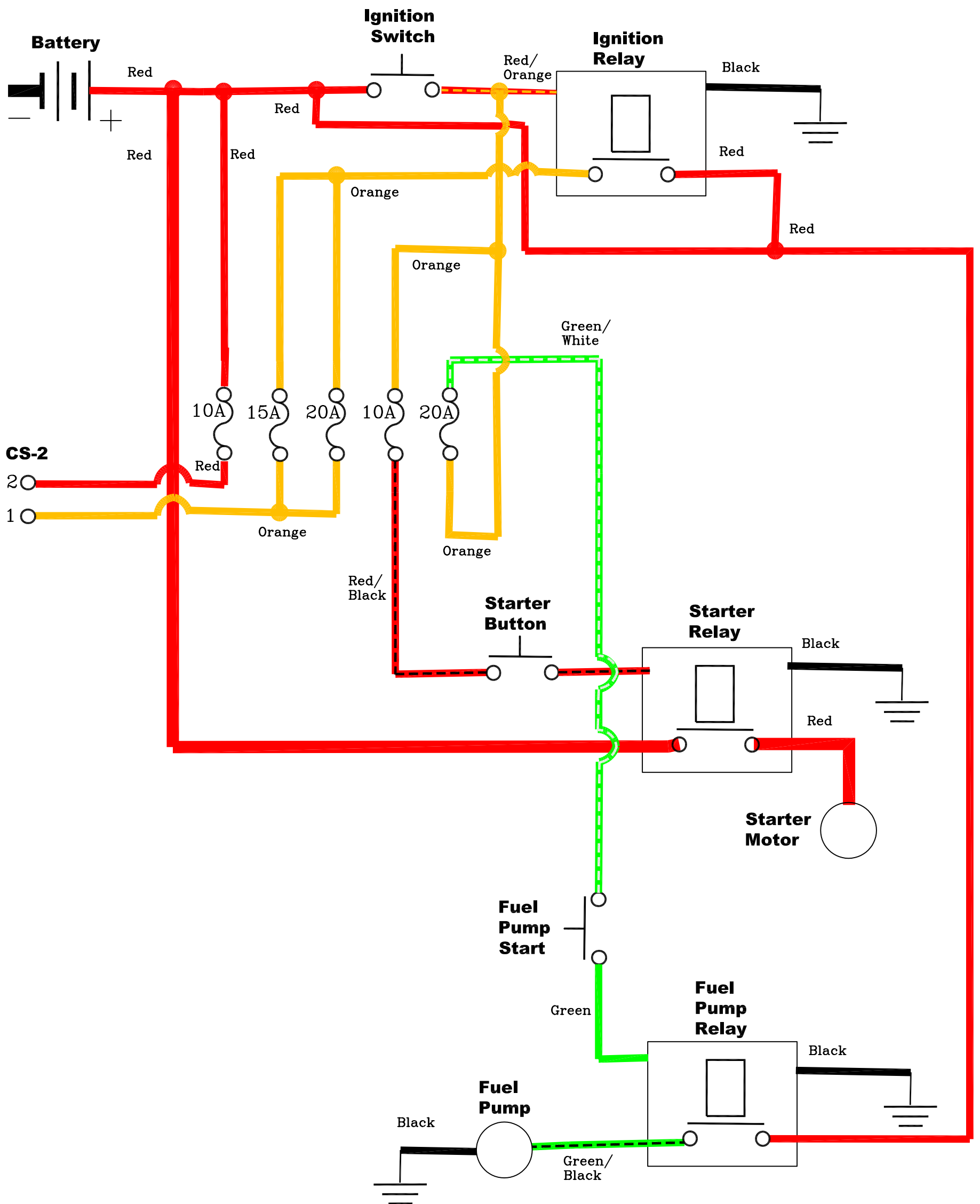


MANIFEST NO:	TITLE	MATERIAL	QUANTITY	MASS
806	FRAME WIRING	COMPOSITE	1	



NAME OF DRAWING: Frame Wiring	
Name of Model:	
Drawn by: AT	DWG No: 806
Ckd:	Revision Description:

TOLERANCES UNLESS OTHERWISE SPECIFIED ±0.0125 DIMENSIONS ARE IN mm's	
Third Angle Projection	
Sheet Size A3	1 of 2
Rev: 0	5/03/2006

